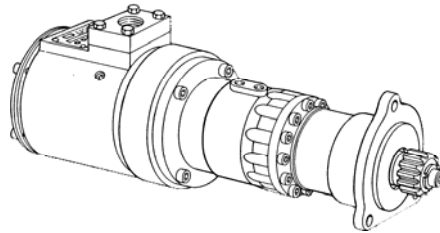


ILLUSTRATED PARTS BREAKDOWN



T50-Y **TURBOTWIN** Engine Air Starter

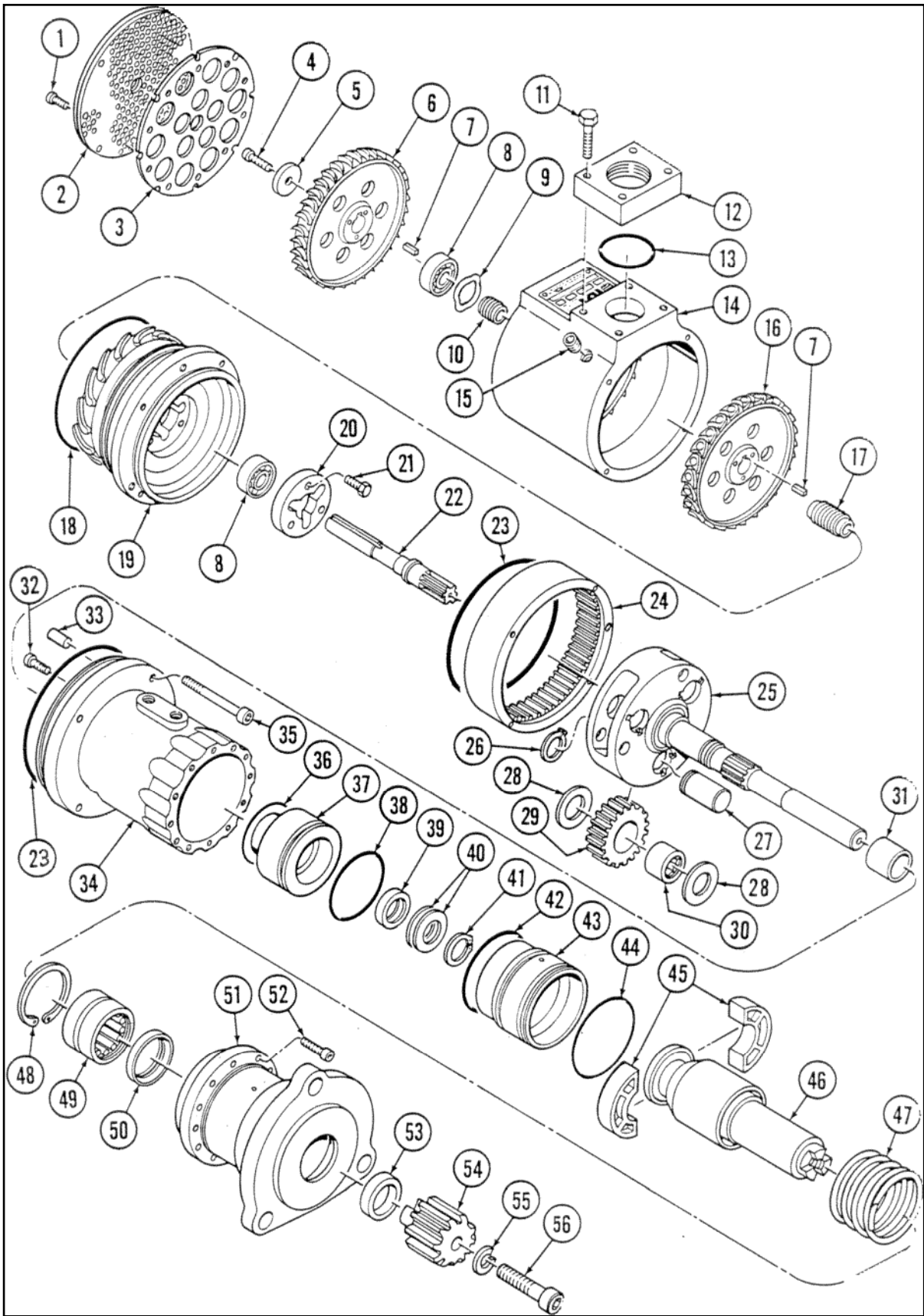


IMPORTANT NOTE

The purpose of this illustrated parts breakdown is to provide part number identification of the various components of the listed starters. Only those parts which may be disassembled at the field or repair shop level are broken out and identified. Certain parts or components are "factory only" assemblies, and should not be disassembled below the level shown in this document. Do not disassemble or reassemble the starter without referring to the proper TDI TURBOTWIN service manual. The use of improper procedures, non-authorized replacement parts or incorrect tools, may result in a faulty operating starter which could affect its performance or create a hazardous condition.

T50-Y ILLUSTRATED PARTS LIST				
ITEM #	DESCRIPTION	PART NUMBER	QTY.	Overhaul Kit T50Y-28826
1	Screw	14F-25020-014	8	√
2	Exhaust Guard	2-28380	1	
3	Exhaust Support	2-27475	1	
4	Screw, Rotor Attachment	19F-25028-012	1	√
5	Rotor Washer	9-93047	1	
6	Stage 2 Rotor	2-27232	1	
7	Square Key (1/8")	9-90220-050	2	
8	Turbine Bearing	9-91224	2	√
9	Bearing Pre-Load Spring	9-90439	2	√
10	Spacer / Labyrinth	2-28445	1	√
11	Screw	71F-31218-020	4	
12	Inlet Flange	2-28593	1	
13	This O-Ring is no longer required	9-90001-031	1	
14	Containment, Nozzle 2, RH	2-28359-00R	1	
14	Containment, Nozzle 2, LH	2-28359-00L	1	
15	Hollow Hex Plug	9-93501-002	1	
16	Stage 1 Rotor	2-27225	1	
17	Spacer/Labyrinth	2-28444	1	√
18	O-Ring	9-90001-047	1	√
19	Turbine Hsg. / Stage 1 (10 Noz. RH)	2-28354-10R	1	
19	Turbine Hsg. / Stage 1 (10 Noz. LH)	2-28354-10L	1	
19	Turbine Hsg. / Stage 1 (14 Noz. RH)	2-28354-14R	1	
19	Turbine Hsg. / Stage 1 (14 Noz. LH)	2-28354-14L	1	
20	Bearing Retainer	2-28446	1	
21	Screw	71F-25020-012	3	√
22	Turbine Shaft 11.2:1)	2-28339	1	
23	O-Ring	9-90001-047	2	√
24	Ring Gear	2-28430	1	
25	Carrier Shaft Assembly	2-28358-001	1	
26	Retaining Ring	9-92001-001	3	
27	Planet Shaft	2P-20182	3	
28	Planet Gear Spacer	9-93004	6	√
29	Planet Gear (11.2:1)	2-28316	3	
30	Planet Bearing	9-91004-001	3	√
31	Gearbox Bearing	9-91405	1	√
32	Screw	14F-19024-012	4	√
33	Dowel Pin	9-91502-007	1	

				Overhaul Kit
ITEM #	DESCRIPTION	PART NUMBER	QTY	T50Y-28826
34	Gearbox Housing	2-28352	1	
35	Screw	14F-25020-044	4	√
36	O-Ring	9-90001-035	1	√
37	Bearing Hub	2-24114	1	
38	O-Ring	9-90002-331	1	√
39	Lip Seal	2-23810	1	√
40	Thrust Washers	9-93085	2	√
41	Retaining Ring	9-92001-025	1	√
42	O-Ring	9-90002-336	1	√
43	Pre-engage Piston	2-24644-001	1	
44	O-Ring	9-90002-234	1	√
45	Split Rings	2-23419	2	√
46	Drive, RH	2-27254	1	
46	Drive, LH	2-27255	1	
47	Return Spring	9-90430	1	
48	Retainer Ring	9-92001-011	1	
49	Roller Bearing	9-91422	1	√
50	Lip Seal	2-22084	1	√
51	Pinion Housing (SAE 3)	2-28552	1	
52	Screw	14F-25020-016	12	√
53	Collar, Pinion	2-23908	1	
54	Code 01: 6/8P, 12/11T, 20 PA, RH	2-23910-001	1	
54	Code 05 - 3 Mod, 11T,14.5 PA, RH	2-23910-005	1	
54	Code 06 - 3.5 Mod, 11T,14.5 PA, RH	2-23910-006	1	
54	Code 11 - 3.5 Mod, 17T,14.5 PA, RH	2-23910-011	1	
54	Code 21 - 3.5 Mod, 15T,14.5 PA, RH	2-23910-021	1	
54	Code 22 - 3.5 Mod, 15T,14.5 PA, LH	2-23910-022	1	
55	Washer	9-93001-013	1	√
56	Screw, Pinion attachment	11F-50020-32	1	√



Exploded View of Model T50-Y **TURBOTWIN** Air Starter